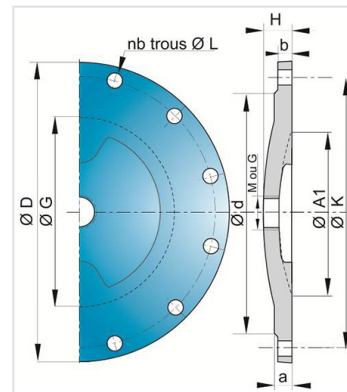
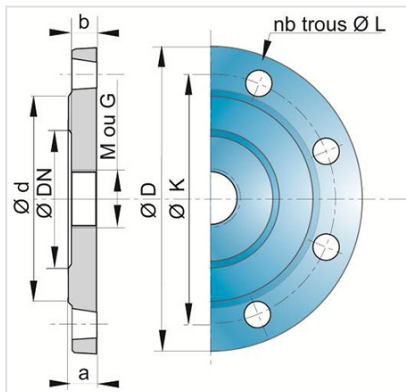


### Plaque Pleine (PECB) Bossage Central taraudé ISO



| DN (mm) | Filetage | PN 10      |             | PN 16      |             | PN 25      |             | PN 40      |             |
|---------|----------|------------|-------------|------------|-------------|------------|-------------|------------|-------------|
|         |          | Masse (kg) | Référence   | Masse (kg) | Référence   | Masse (kg) | Référence   | Masse (kg) | Référence   |
| 40      | M40      | 2,00       | BBA40QT1BTT | 2,00       | BBA40QT1BTT | 2,00       | BBA40QT1BTT |            |             |
| 60      | M40      | 2,70       | BBA60QT1BTT | 2,70       | BBA60QT1BTT |            |             |            |             |
| 60      | M55      | 2,80       | BBA60QT1CTT | 2,80       | BBA60QT1CTT |            |             |            |             |
| 80      | M40      | 3,50       | BBA80QT1BTT | 3,50       | BBA80QT1BTT | 3,50       | BBA80QT1BTT | 3,50       | BBA80QT1BTT |
| 80      | M55      | 3,50       | BBA80QT1CTT | 3,50       | BBA80QT1CTT | 3,50       | BBA80QT1CTT | 3,50       | BBA80QT1CTT |
| 100     | M40      | 4,30       | BBB10QT1BTT | 4,30       | BBB10QT1BTT | 4,80       | BBB10QT3BTT | 4,80       | BBB10QT3BTT |
| 100     | M55      | 4,30       | BBB10QT1CTT | 4,30       | BBB10QT1CTT |            |             |            |             |
| 125     | M40      | 5,60       | BBB12QT1BTT | 5,60       | BBB12QT1BTT |            |             |            |             |
| 125     | M55      | 5,60       | BBB12QT1CTT | 5,60       | BBB12QT1CTT |            |             |            |             |
| 150     | M40      | 7,20       | BBB15QT1BTT | 7,20       | BBB15QT1BTT |            |             |            |             |
| 150     | M55      | 7,20       | BBB15QT1CTT | 7,20       | BBB15QT1CTT |            |             |            |             |
| 200     | M40      | 11,00      | BBB20QT1BTT | 13,80      | BBB20QT2BTT |            |             |            |             |
| 200     | M55      | 11,00      | BBB20QT1CTT | 13,80      | BBB20QT2CTT | 14,00      | BBB20QT3CTT |            |             |
| 250     | M40      | 16,90      | BBB25QT1BTT | 16,90      | BBB25QT2BTT |            |             |            |             |
| 250     | M55      | 16,90      | BBB25QT1CTT | 16,90      | BBB25QT2CTT | 22,00      | BBB25QT3CTT | 34,00      | BBB25QT4CTT |
| 300     | M40      | 26,50      | BBB30QT1BTT | 26,50      | BBB30QT2BTT |            |             |            |             |
| 300     | M55      | 26,50      | BBB30QT1CTT | 26,50      | BBB30QT2CTT | 33,00      | BBB30QT3CTT |            |             |
| 350     | M40      | 32,50      | BBB35QT1BTT |            |             |            |             |            |             |
| 350     | M55      | 32,50      | BBB35QT1CTT | 37,50      | BBB35QT2CTT |            |             |            |             |
| 400     | M40      | 45,50      | BBB40QT1BTT | 43,50      | BBB40QT2BTT |            |             |            |             |
| 400     | M55      | 45,50      | BBB40QT1CTT | 43,50      | BBB40QT2CTT |            |             |            |             |

| DN (mm) | Filetage | PN 10      |             | PN 16      |             | PN 25      |             | PN 40      |           |
|---------|----------|------------|-------------|------------|-------------|------------|-------------|------------|-----------|
|         |          | Masse (kg) | Référence   | Masse (kg) | Référence   | Masse (kg) | Référence   | Masse (kg) | Référence |
| 450     | M40      | 58,00      | BBB45QT1BTT | 62,00      | BBB45QT2BTT |            |             |            |           |
| 450     | M55      | 58,00      | BBB45QT1CTT | 62,00      | BBB45QT2CTT |            |             |            |           |
| 500     | M40      | 70,00      | BBB50QT1BTT | 84,00      | BBB50QT2BTT |            |             |            |           |
| 500     | M55      | 70,00      | BBB50QT1CTT | 84,00      | BBB50QT2CTT | 101,00     | BBB50QT3CTT |            |           |
| 600     | M40      | 106,00     | BBB60QT1BTT |            |             |            |             |            |           |
| 600     | M55      | 106,00     | BBB60QT1CTT | 133,00     | BBB60QT2CTT | 156,00     | BBB60QT3CTT |            |           |
| 700     | M55      | 153,00     | BBB70QT1CTT | 166,00     | BBB70QT2CTT |            |             |            |           |
| 800     | M55      | 214,00     | BBB80QT1CTT | 230,00     | BBB80QT2CTT |            |             |            |           |
| 900     | M55      | 279,00     | BBB90QT1CTT | 300,00     | BBB90QT2CTT |            |             |            |           |
| 1000    | M55      | 367,00     | BBC10QT1CTT | 400,00     | BBC10QT2CTT |            |             |            |           |

| DN (mm) | PN          | Filetage | ØD (mm) | a (mm) | b (mm) | Ød (mm) | ØG (mm) | H (mm) | Nbre de trous | ØL (mm) | ØK (mm) | A1 (mm) |
|---------|-------------|----------|---------|--------|--------|---------|---------|--------|---------------|---------|---------|---------|
| 40      | 10 16 25    | M40      | 565     | 24,5   | 20,5   | 480     | 385     | 62     | 16            | 28      | 515     | 350     |
| 60      | 10 16       | M40      | 175     | 19     | 16     | 108     |         |        | 4             | 19      | 135     |         |
| 60      | 10 16       | M55      | 175     | 19     | 16     | 108     |         |        | 4             | 19      | 135     |         |
| 80      | 10 16 25 40 | M40      | 200     | 19     | 16     | 132     |         |        | 8             | 19      | 160     |         |
| 80      | 10 16 25 40 | M55      | 200     | 19     | 16     | 132     |         |        | 8             | 19      | 160     |         |
| 100     | 25 40       | M40      | 235     | 19     | 16     | 156     |         |        | 8             | 23      | 190     |         |
| 100     | 10 16       | M40      | 200     | 19     | 16     | 153     |         |        | 8             | 19      | 180     |         |
| 100     | 10 16       | M55      | 200     | 19     | 16     | 153     |         |        | 8             | 19      | 180     |         |
| 125     | 10 16       | M40      | 250     | 19     | 16     | 184     |         |        | 8             | 19      | 210     |         |
| 125     | 10 16       | M55      | 250     | 19     | 16     | 184     |         |        | 8             | 19      | 210     |         |
| 150     | 10 16       | M40      | 285     | 19     | 16     | 211     |         |        | 8             | 23      | 240     |         |
| 150     | 10 16       | M55      | 285     | 19     | 16     | 211     |         |        | 8             | 23      | 240     |         |
| 200     | 10          | M40      | 340     | 20     | 17     | 266     |         |        | 8             | 23      | 295     |         |
| 200     | 16          | M40      | 340     | 20     | 17     | 266     |         |        | 12            | 23      | 295     |         |
| 200     | 10          | M55      | 340     | 20     | 17     | 266     |         |        | 8             | 23      | 295     |         |
| 200     | 16          | M55      | 340     | 20     | 17     | 266     |         |        | 12            | 23      | 295     |         |
| 200     | 25          | M55      | 360     | 22     | 19     | 274     | 190     |        | 12            | 28      | 310     | 180     |
| 250     | 10          | M40      | 400     | 22     | 19     | 319     |         |        | 12            | 23      | 350     |         |
| 250     | 16          | M40      | 400     | 22     | 19     | 319     |         |        | 12            | 28      | 355     |         |
| 250     | 10          | M55      | 400     | 22     | 19     | 319     |         |        | 12            | 23      | 350     |         |
| 250     | 16          | M55      | 400     | 22     | 19     | 319     |         |        | 12            | 28      | 355     |         |
| 250     | 25          | M55      | 425     | 24,5   | 21,5   | 330     | 240     |        | 12            | 31      | 370     | 230     |

| DN (mm) | PN | Filetage | ØD (mm) | a (mm) | b (mm) | Ød (mm) | ØG (mm) | H (mm) | Nbre de trous | ØL (mm) | ØK (mm) | A1 (mm) |
|---------|----|----------|---------|--------|--------|---------|---------|--------|---------------|---------|---------|---------|
| 250     | 40 | M55      | 425     | 24,5   | 21,5   | 330     | 240     | 46,5   | 12            | 31      | 370     | 230     |
| 300     | 10 | M40      | 455     | 24,5   | 20,5   | 370     | 290     | 40,5   | 12            | 23      | 400     | 246     |
| 300     | 16 | M40      | 455     | 24,5   | 20,5   | 370     | 290     | 40,5   | 12            | 28      | 410     | 246     |
| 300     | 10 | M55      | 455     | 24,5   | 20,5   | 370     | 290     | 40,5   | 12            | 23      | 400     | 246     |
| 300     | 16 | M55      | 455     | 24,5   | 20,5   | 370     | 290     | 40,5   | 12            | 28      | 410     | 246     |
| 300     | 25 | M55      | 485     | 27,5   | 23,5   | 389     | 290     | 53,5   | 16            | 31      | 430     | 250     |
| 350     | 10 | M40      | 505     | 24,5   | 20,5   | 429     | 340     | 50,3   | 16            | 23      | 460     | 290     |
| 350     | 10 | M55      | 505     | 24,5   | 20,5   | 429     | 340     | 50,3   | 16            | 23      | 460     | 290     |
| 350     | 16 | M55      | 520     | 26,5   | 22,5   | 429     | 340     | 52,3   | 16            | 28      | 470     | 290     |
| 400     | 10 | M40      | 565     | 24,5   | 20,5   | 480     | 385     | 62     | 16            | 28      | 515     | 350     |
| 400     | 16 | M40      | 580     | 28     | 24     | 480     | 385     | 64     | 16            | 31      | 525     | 350     |
| 400     | 10 | M55      | 565     | 24,5   | 20,5   | 480     | 385     | 62     | 16            | 28      | 515     | 350     |
| 400     | 16 | M55      | 580     | 28     | 24     | 480     | 385     | 64     | 16            | 31      | 525     | 350     |
| 450     | 10 | M40      | 615     | 25,5   | 21,5   | 530     | 435     | 68,5   | 20            | 28      | 565     | 400     |
| 450     | 16 | M40      | 640     | 30     | 26     | 548     | 435     | 71     | 20            | 31      | 585     | 400     |
| 450     | 10 | M55      | 615     | 25,5   | 21,5   | 530     | 435     | 68,5   | 20            | 28      | 565     | 400     |
| 450     | 16 | M55      | 640     | 30     | 26     | 548     | 435     | 71     | 20            | 31      | 585     | 400     |
| 500     | 10 | M40      | 670     | 26,5   | 22,5   | 582     | 490,4   | 58     | 20            | 28      | 620     | 450     |
| 500     | 16 | M40      | 715     | 31,5   | 27,5   | 609     | 485     | 77,5   | 20            | 34      | 650     | 450     |
| 500     | 10 | M55      | 670     | 26,5   | 22,5   | 582     | 490,4   | 58     | 20            | 28      | 620     | 450     |
| 500     | 16 | M55      | 715     | 31,5   | 27,5   | 609     | 485     | 77,5   | 20            | 34      | 650     | 450     |
| 500     | 25 | M55      | 730     | 36,5   | 32,5   | 609     | 485     | 82,5   | 20            | 37      | 660     | 450     |
| 600     | 10 | M40      | 780     | 30     | 25     | 682     | 585     | 88     | 20            | 31      | 725     | 550     |
| 600     | 10 | M55      | 780     | 30     | 25     | 682     | 585     | 88     | 20            | 31      | 725     | 550     |
| 600     | 16 | M55      | 840     | 36     | 31     | 720     | 585     | 91     | 20            | 37      | 770     | 550     |
| 600     | 25 | M55      | 845     | 42     | 37     | 720     | 585     | 97     | 20            | 41      | 770     | 550     |
| 700     | 10 | M55      | 895     | 32,5   | 27,5   | 794     | 680     | 101    | 24            | 31      | 840     | 650     |
| 700     | 16 | M55      | 910     | 39,5   | 34,5   | 794     | 685     | 112    | 24            | 37      | 840     | 650     |
| 800     | 10 | M55      | 1015    | 35     | 30     | 901     | 785     | 114    | 24            | 34      | 950     | 750     |
| 800     | 16 | M55      | 1025    | 43     | 38     | 901     | 785     | 126    | 24            | 41      | 950     | 750     |
| 900     | 10 | M55      | 1115    | 37,5   | 32,5   | 1001    | 885     | 127    | 28            | 34      | 1050    | 850     |
| 900     | 16 | M55      | 1125    | 46,5   | 41,5   | 1001    | 885     | 141    | 28            | 41      | 1050    | 850     |
| 1000    | 10 | M55      | 1230    | 40     | 35     | 1112    | 985     | 140    | 28            | 37      | 1160    | 950     |
| 1000    | 16 | M55      | 1255    | 50     | 45     | 1112    | 985     | 155    | 28            | 44      | 1170    | 950     |

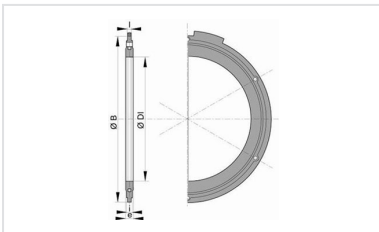
### Domaine d'emploi :

- Pour réseaux d'adduction d'eau potable

### Principales caractéristiques :

- Revêtement extérieur-intérieur : poudre époxy bleu 250 microns d'épaisseur moyenne avec un mini de 200 microns, conforme à la norme EN 14901-1 (PECB)
- Conformité à EN 545:2010 et ISO 2531:2009

### Produits associés



Ensemble de joint à brides  
avec boulonnerie en acier  
galvanisé à chaud