



## WBSMU / WBSMUEx VIRTUO Fit / Wall-fixing concealed cistern

### FUNCTION :

- One-piece concealed cistern : wall fixing only (strong wall)
- **WBSMU**: Adjustable pan connector  $\varnothing 100$ , material PVC
- **WBSMUEx**: Bent (90°) pan Connector  $\varnothing 110$ , material PE
- Rinsing tube, inlet tube, straight connector : material PVC
- Device adapted to people with reduced mobility.
- Operating Plate sold separately

### DESCRIPTION :

- **Equipped cistern**  
Float valve (acoustic class II)  
Dual flush mechanism with cable (3/6L), locking by clipping (plug & play)  
Insulating polystyrene envelope (condensation and noise reduction when filling/emptying the tank)

### TECHNICAL FEATURES:

#### • Dimensions

Overall height : 1074 to 1330 mm  
Width : 370 mm  
Depth : 160 to 236 mm  
Length of the inlet tube and pan connector : 300 mm  
Length of the thread stems to hang the bowl : 250 mm  
Thickness of the wall : 15 to 70 mm  
Operating plate opening in wall (L x h) : 177 x 118 mm

#### • Material

Frame: Steel with blue epoxide paint  
Cistern : Polypropylene

#### • Performances

Loading test : tested under 400 kg  
Corrosion resistance : tested during 200h of salt spray



### IMPLEMENTATION:

- Compatible with low mobility people specific bowl
- Water inlet (G3/8' ) inside cistern (possible on both sides)

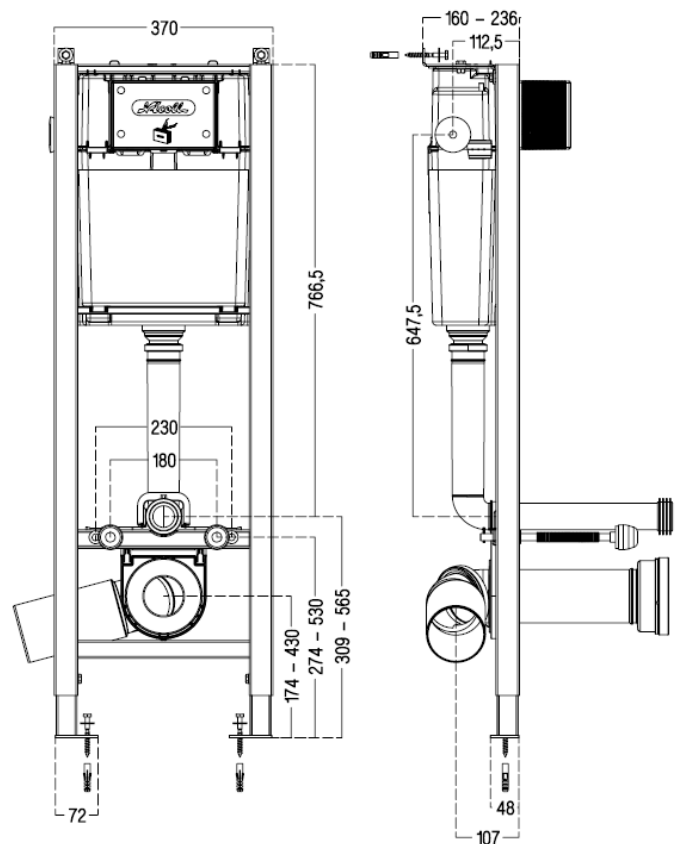
**WARNING:** If light wall, specific reinforcement plate is needed besides traditional bowl fixation parts (see article number **WPRBAT**)

### MAINTENANCE:

- Cistern access in technical duct on the top, or front face (removable operating plate)
- Cistern: apply anti-scaling treatment regularly, depending on water hardness
- Spare parts: available 10 years minimum

### PACKAGING :

- Cardboard box dimensions (mm) : 1115 x 419 x 165
- Cardboard box weight : 13 Kg



SECURITE FEU : NF Me  
TUBES ET RACCORDS PVC



SEPTEMBER 2023

© Nicoll 2022. Nicoll is an Aliaxis company. All rights reserved. Pictures, illustrations not binding.



**Nicoll**  
by aliaxis

Head office and Plants: 37, rue Pierre & Marie Curie  
BP 10966 - 49309 Cholet Cedex - FRANCE  
Phone + 33 (0)2 41 63 73 83  
Email: export.nicoll@aliaxis.com