



## 0709176 - 0709187 - 0709188 - 0709189 - 0709190

### ROUND BUTTONS PUSH PLATE

#### FUNCTION :

- Dual flush push plate for Nicoll concealed cistern
- Trigger with single cable mechanism



#### DESCRIPTION :

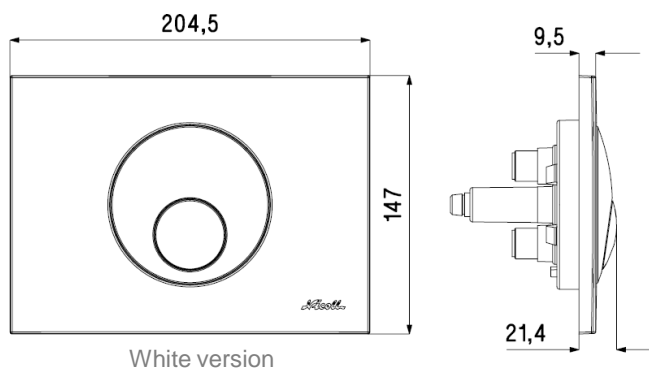
★	Reference :	0709187	★	0709188	0709189	0709190
	• Reference :					
	• Finish :	White	Satin paint	Shiny chrome	Satin paint, shiny chrome and satin paint buttons	Shiny chrome, satin paint and shiny chrome buttons
	• Material :	ASA	ABS	ABS	ABS	ABS

#### TECHNICAL CHARACTERISTICS :

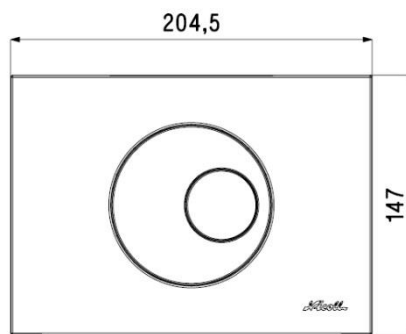
- Length : 204,5 mm
- Width : 147 mm
- Opening to be made : 177 x 118 mm

*The cut of wall must be as accurate as possible for the implementation*

- Cladding overlap : 18 mm
- Plate holder and fixing screws included
- Activation force : < 20 N
- Wall thickness : 16 to 75 mm



White version



Other versions

#### MAINTENANCE :

- Cleaning : use a non-aggressive cleaner and a soft cloth

#### PACKAGING :

- Cardboard box

★ A push plate must be installed on a support frame , so that the support frame + push plate assembly is .

**APRIL 2024**

© Nicoll 2024. Nicoll est une marque du groupe Aliaxis. Tous droits réservés. Document non contractuel. – Crédits photos : Nicoll

