








SIHJ15H / SIHJ15IH / SIHJ15IHV / SIHJX15IH / SIHJX15IHV

DRAINAGE TRAP WHITE PVC WITH FRAME & GRID 15x15, HORIZ. OUTLET

FUNCTION :

Those trap are designed to catch runwater and wet ground, inside without tightness treatment below tiles (no flange for tightness covering) ; and outside, for deck , pathway, balconies...

- They could be use for private and public use.
- The heigh of the product is lower to facilitate their installation in concrete slab.

Pictures	Reference	Description	Load class EN 1253-4	Grid design
	SIHJ15H	Trap 15 x 15, horizontal outlet (female to be glued DN40 / male DN50), grid white pvc	K3	« palm tree »
	SIHJ15IH	Trap 15 x 15, , horizontal outlet (female to be glued DN40 / male DN50), stainless steel grid 304	K3	« palm tree »
	SIHJ15IHV	Trap 15 x 15, , horizontal outlet (female to be glued DN40 / male DN50), stainless steel grid 316 lockable	K3	« palm tree »
	SIHJX15IH	Trap 15 x 15, , horizontal outlet (female to be glued DN40 / male DN50), stainless steel grid 304	K3	« squares »
	SIHJX15IHV	Trap 15 x 15, , horizontal outlet (female to be glued DN40 / male DN50), stainless steel grid 316 lockable	K3	« squares »

DESCRIPTION :

Those trap are composed to :

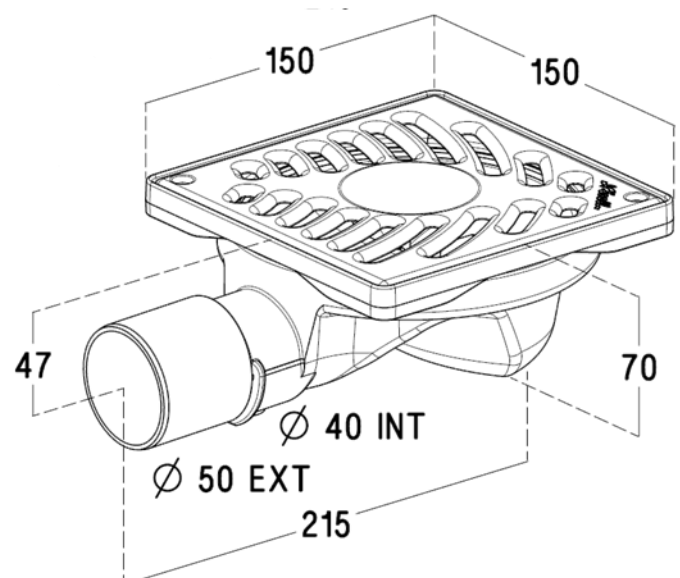
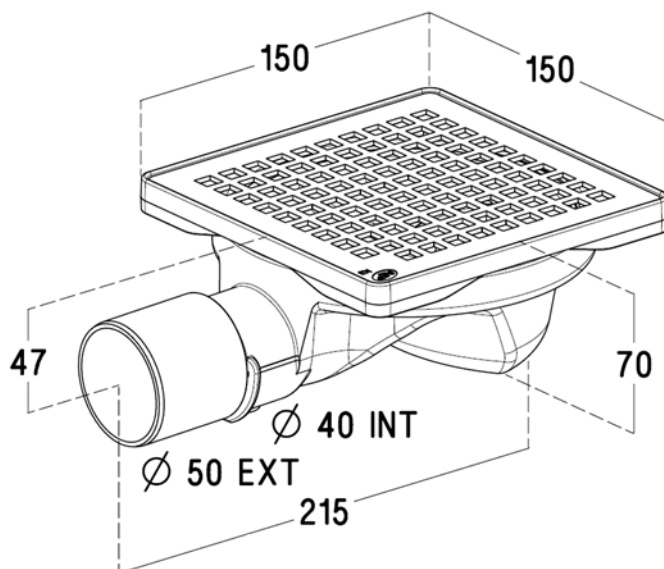
- A body in white PVC;
- A riser PVC white, ajustable (360°), to be glued on site ;
- A dip pipe in grey PP, to keep a water seal of 30 mm and protect against odor;
- Outlet female Ø 40 mm to be glued , and Ø 50 male (cuttable to reduce the lenght) ;
- Maximal flow rate = 0,6 l/s ;
- Low water seal = 30 mm ;
- Grid in white PVC (UV stabilized) or stainless steel (304 & 316) for pedestrian uses (class K3 – EN 1253-4)* ;
- Opening < 8 mm (barefoot ability).



SIHJ15H / SIHJ15IH / SIHJ15IHV / SIHJX15IH / SIHJX15IHV DRAINAGE TRAP WHITE PVC WITH FRAME & GRID 15x15, HORIZ. OUTLET

INSTALLATION STEPS :

- 1°) **Prepare a hole of Ø 160 mm in the concrete slab**, without screed and/or soil covering, take care of the integration of the riser (square of 150 x 150 mm, tickness of 14 mm). The installation deep should take into account the finish level of the soil (top of the raiser ribs should be few millimeter below the finish level) ;
- 2°) **Put in place the trap body and connect it to the sewage pipe :**
 - Glued PVC pipe with a diameter of 40 mm in the female socket. In that case, the male extremity DN 50 mm could be cut. Follow the groove with the saw ;
 - Or connect the male DN 50 mm outlet into a female socket with a gasket.
- 3°) **Fix the body** in the slab with concrete all around (check the slope before it) ;
- 4°) **Mark the orientation of the riser** in accordance with the final place expected for the grid (may be due to the tiles alignment) ;
- 5°) **Clean the surfaces to be glued and glue the riser to the body** with PVC scellement. The glue should be applied all around the perimeter and on the both part body and riser ;
- 6°) **Put the dip pipe inside the body and install the grid** on th riser (in case locked the grid with the screws).



**NF EN 1253 – K3 : areas without light vehicule trafic, like public housing, commercial and public places (exluding mobile work equipment : handling trolley, scrubber dryer, ...)*